



This product complies with Electromagnetic Compatibility (2004/108/EC) directive when used and installed according to this instruction manual.



Correct Disposal of This Product. (Waste Electrical & Electronic Equipment) Applicable in the European Union and other European countries with separate collection systems.

This marking on the product, accessories or literature indicates that the product and its electronic accessories should not be disposed of with other household waste at the end of their working life. To prevent possible harm to the environment or human health from uncontrolled waste disposal, please separate these items from other types of household waste and recycle them responsibly to promote the sustainable reuse of material resources.



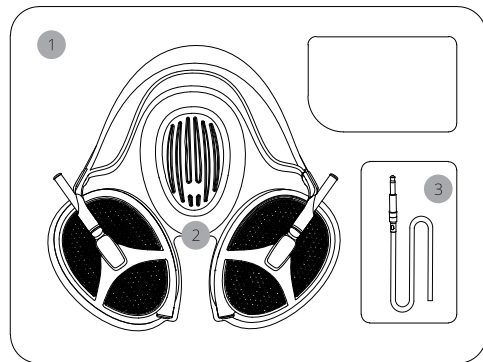
# EMPYREAN

THE FIRST ISODYNAMIC HYBRID ARRAY HEADPHONE

Driver Developed Exclusively for Meze Audio by

▷ RINARO ◁  
ISODYNAMICS

## PACKAGE CONTENTS



1. Case: High-strength aluminum suitcase with foam inserts.
2. Two sets of earpads included: one real leather, one Alcantara.
3. Cable options:  
3.5mm OFC Standard  
or  
6.3mm OFC Standard  
Custom cables:  
Balanced 4 PIN XLR PCUHD  
Balanced 4.4 mm PCUHD  
Balanced 2.5 mm PCUHD

FOR YOUR SAFETY:

Maximum Recommended Sound Level / Day:

level	equivalent to	time
90dB	Hair dryer	8 Hours
95dB	Power mower	4 Hours
100dB	Tractor	2 Hours
105dB	Chainsaw	1 Hour
110dB	Rock concert	30 Minutes
115dB	Jackhammer	15 Minutes
120dB	Ambulance	Dangerous

## RETURNS

In the event that you need warranty service on your Empyrean or you are not satisfied with your purchase, please contact the Meze authorized dealer you made the purchase from or Meze Audio through the contact form on the website in case you purchased the item on the Meze Audio website. We are not responsible for items returned without previously contacting Meze Audio.

## REFUND POLICY

Products purchased from our website can be returned within 30 days of purchase date. Item must be in functional condition and not damaged by the customer. The package and item must be without any visible damage, and complete with all accessories. To be eligible for a refund from Meze Audio the product must have been purchased directly from Meze Audio. If your product was purchased from other retailers you must contact that specific retailer.

The customer is also responsible to pay for shipping to return the merchandise. If the product you received is defective from Meze Audio or when purchased through any other authorized dealer, you may request an exchange under our warranty policy.

## TECHNICAL SPECIFICATIONS

Driver Type	Rinaro Isodynamic Hybrid Array
Operating Principle	Planar Magnetic
Ear Coupling	Circumaural
Frequency response	4 - 110,000 Hz
Impedance	31,6 $\Omega$
Nominal SPL	100 dB (1 mW/1kHz)
Maximum SPL	>130 dB
Total Harmonic Distortion (THD)	<0.1%
Weight	≈ 430 g

## MZ3 DRIVER SPECIFICATIONS

### *PHYSICAL*

Geometrical shape: Ovoid  
Size: 102x73 mm  
Weight: 82 gr  
Casing: Fiberglass infused ABS

### *DIAPHRAGM*

Type: Rinaro Isoplanar  
Active area: 4650 mm<sup>2</sup>  
Weight: 0,16 g  
Acoustic mass: 10,7 kg/m<sup>4</sup>  
Lower frequency limit: 4Hz  
Upper frequency limit: 110.000 Hz

### *MAGNET ARRAY*

Type: Isodynamic  
Size: 75x49 mm  
Magnetic Flux: 0,35 T

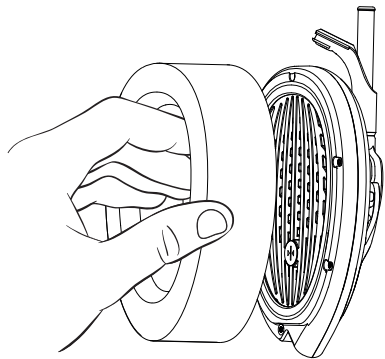
## SAFETY INSTRUCTIONS

- Keep the product, accessories and packaging parts out of reach of children and pets to prevent accidents and choking hazards.
- With wired headphones, you should avoid sudden movements, which could cause the headphones to fall off your head. You could be seriously injured especially if you are wearing pierced earrings, spectacles etc.
- Do not use the product in situations which require special attention (e.g. in traffic or when performing skilled jobs).
- Always keep the product dry and do not expose it to extreme temperatures (hairdryer, heater, extended exposure to sunlight, etc.) to avoid corrosion or deformation.
- As with any equipment which will be used in close proximity to sensitive areas of the body, it is essential that the ear pads and headband are kept clean. Use a dry cloth for cleaning.
- Do not attempt to clean the driver.
- When connecting to your music source, make sure that the volume is turned down before plugging in the headphones. Do not set the volume too high, as you could permanently damage your hearing and your headphone.

## WARRANTY

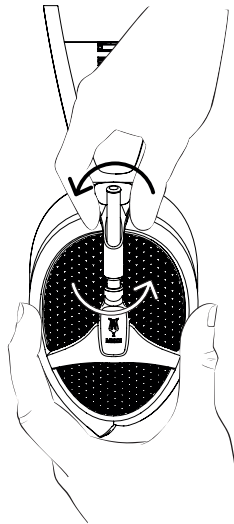
Meze Audio guarantees their products against defects in materials or workmanship for a period of two (2) years from the date of purchase from a Meze Audio authorized dealer. Meze Audio will repair or replace the product or parts at no charge. After two (2) years, you are responsible for the repair, part replacement or headphone replacement. This warranty does not cover other related costs. This warranty does not cover cosmetic damage, acts of God, normal wear and tear, accidents, misuse, commercial use, any modifications to the product, improper use or improper connection. Additionally, it doesn't cover purchase from an unauthorized dealer, attempted repair by anyone other than Meze Audio or other authorized person or unit.

This warranty does not cover products sold by unauthorized resellers, products sold as-is, open box, second hand, display models, or any other times in which the product may have been opened or used. This warranty is also void if the product was damaged by a product that was used with an electrical fault of a connecting product. In order for the warranty to be applied, a proof of purchase is required. A proof of purchase may be in the form of a receipt, bill of sale, transaction code with the model of the product and the date of purchase listed from an authorized dealer. Meze Audio is not responsible for the replacement or repair of products if in violation of this warranty. Some countries may have other restrictions on warranties.



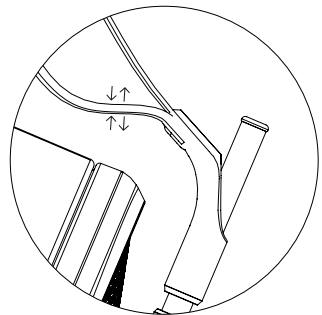
### Isomagnetic ear cushion coupling technology

An innovative design feature developed by Rinaro is the Isomagnetic ear cup attachment which utilizes the demagnetizing field generated by the driver to hold the ear cup in place whilst also redirecting the magnetic field back into the driver and improving driver efficiency.



### Easy ear cup adjustment

To easily adjust the ear cups in the right position, you need to simply rotate the hinge while gently pulling down the ear cup.



### Pressure distribution wings

Patented suspension wings increase the leather headrest's contact surface area with your head and relieve uncomfortable pressure points.



### Aluminium grill

Do not attempt to push the grill, for it may result in permanent damage of your headphone.